

TDC Power Products Co.,Ltd

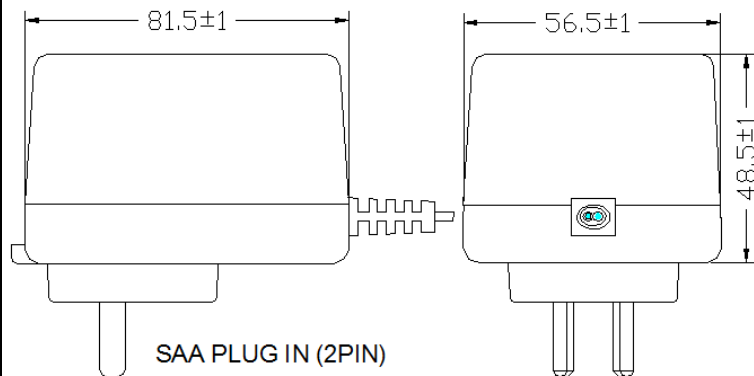
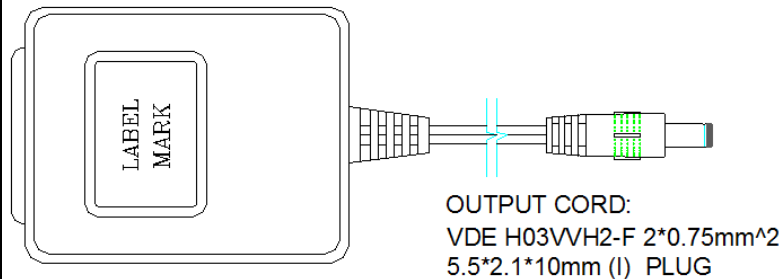
DS-22-09

INPUT VOLTAGE **240VAC**

OUTPUT VOLTAGE **9VAC**

ELECTRICAL & MECHANICAL SPECIFICATION

N15789



Output Cable: **VDE H03VVH2-F 2*0.75mm²
1.8M LENGTH+5.5*2.1*10MM
(I)PLUG**

ELECTRONICAL SPECIFICATION

Input Voltage	240	Volts
Frequency (Hz)	50	Hz
Power Rated (W)	30	W
Exciting Current With No load	120	mA Max
Exciting Current With Full load	160	mA Max
Output Voltage	9	Volts±5%
Output Current	2.45	Amp
Output Voltage Without Load	10.5	Volts±5%

HI-POT :

Test Time	1	Min
PRI TO SEC	3750	Volts
PRI TO CORE	3750	Volts
SEC TO CORE	1250	Volts
Efficiency	70	%
Insulation Class	B (130)	°C

MECHANICAL SPECIFICATION

Dimensions (L*W*H)	81.5*56.5*48.5	mm
Weight	565	g
Environment:		
Operating Temperature	-10 To 40	°C
Storage Temperature	-20 To 70	°C
Relative Temperature	40°C±2°C	

RELATIVE HUMIDITY **90% RH**

ELECTRICAL CIRCUIT

