

TDC Power Products Co.,Ltd

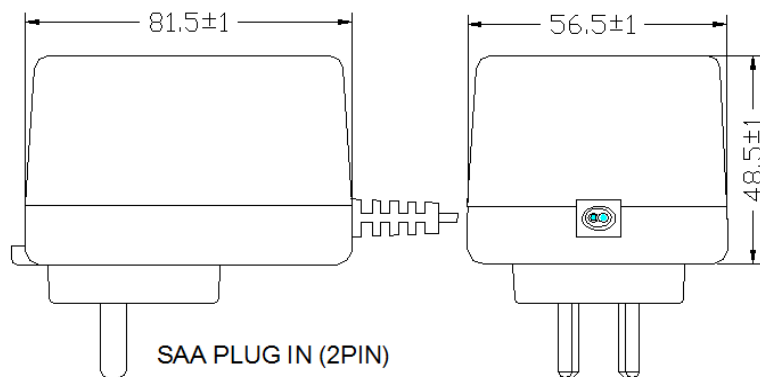
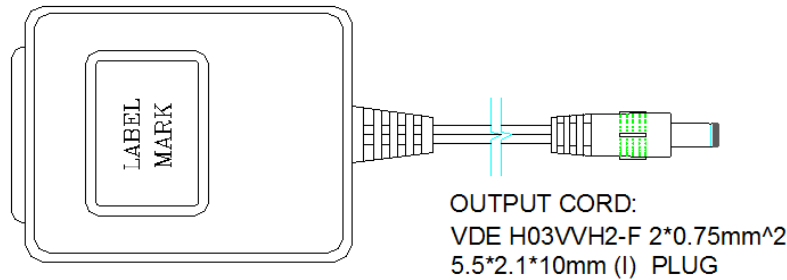
## DS-22-24

INPUT VOLTAGE **240VAC**

OUTPUT VOLTAGE **24VAC**

### ELECTRICAL & MECHANICAL SPECIFICATION

# N15789



Output Cable: **VDE H03VVH2-F 2\*0.75mm<sup>2</sup>  
1.8M LENGTH+5.5\*2.1\*10MM  
(I)PLUG**

#### ELECTRONICAL SPECIFICATION

Input Voltage	<b>240</b>	Volts
Frequency (Hz)	<b>50</b>	Hz
Power Rated (W)	<b>30</b>	W
Exciting Current With No load	<b>120</b>	mA Max
Exciting Current With Full load	<b>160</b>	mA Max
Output Voltage	<b>24.0</b>	Volts±5%
Output Current	<b>0.916</b>	Amp
Output Voltage Without Load	<b>27.0</b>	Volts±5%

#### HI-POT :

Test Time	<b>1</b>	Min
PRI TO SEC	<b>3750</b>	Volts
PRI TO CORE	<b>3750</b>	Volts
SEC TO CORE	<b>1250</b>	Volts
Efficiency	<b>70</b>	%
Insulation Class	<b>B (130)</b>	°C

#### MECHANICAL SPECIFICATION

Dimensions (L*W*H)	<b>81.5*56.5*48.5</b>	mm
Weight	<b>565</b>	g
Environment:		
Operating Temperature	<b>-10 To 40</b>	°C
Storage Temperature	<b>-20 To 70</b>	°C
Relative Temperature	<b>40°C±2°C</b>	

RELATIVE HUMIDITY **90% RH**

#### ELECTRICAL CIRCUIT

