

TDC Power Products Co.,Ltd

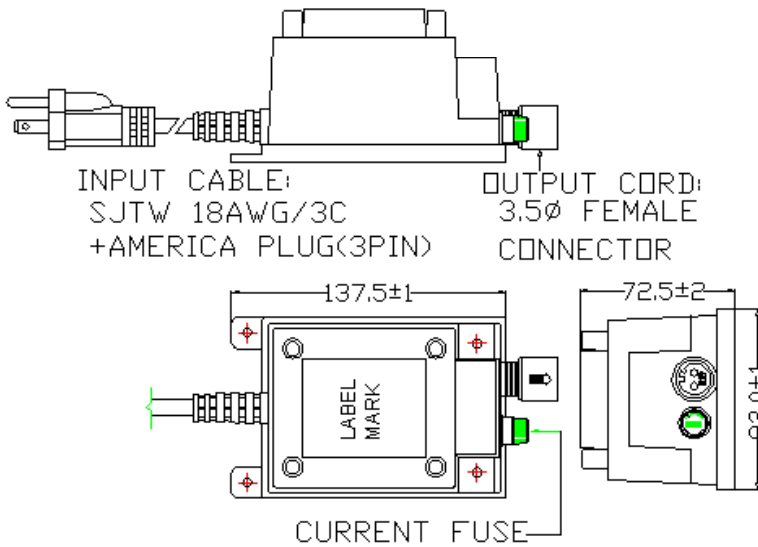
## DA-100-12W

INPUT VOLTAGE **120VAC**

OUTPUT VOLTAGE **12VAC**

### ELECTRICAL & MECHANICAL SPECIFICATION

**UL**  
**LISTED**  
**E181950**  
**5G45**



#### ELECTRONICAL SPECIFICATION

Input Voltage	<b>120</b>	Volts
Frequency (Hz)	<b>60</b>	Hz
Power Rated (W)	<b>120</b>	W
Exciting Current With No load	<b>100</b>	mA Max
Exciting Current With Full load	<b>1050</b>	mA Max
Output Voltage	<b>12.0</b>	Volts±5%
Output Current	<b>8.33</b>	Amp
Output Voltage Without Load	<b>13.0</b>	Volts±5%

#### HI-POT :

Test Time	<b>1</b>	Min
PRI TO SEC	<b>1250</b>	Volts
PRI TO CORE	<b>1250</b>	Volts
SEC TO CORE	<b>1250</b>	Volts
Efficiency	<b>70</b>	%
Insulation Class	<b>B (130)</b>	°C

#### MECHANICAL SPECIFICATION

Dimensions (L*W*H)	<b>137.5*92.0*72.5</b>	mm
Weight	<b>2130</b>	g
Environment:		
Operating Temperature	<b>-10 To 40</b>	°C
Storage Temperature	<b>-20 To 70</b>	°C
Relative Temperature 40°C±2°C		
RELATIVE HUMIDITY	<b>90% RH</b>	

Input Cable: **SJTW 18AWG\*3C 1.0M LENGTH AMERICA PLUG(3PIN)**

Output Cable: **3.5 Ø FEMALE CONNECTOR**

#### ELECTRICAL CIRCUIT

