

TDC Power Products Co.,Ltd

DA-88-12WA-1

INPUT VOLTAGE **120VAC**

OUTPUT VOLTAGE **12VAC**

ELECTRICAL & MECHANICAL SPECIFICATION



MODEL NO.: DA-88-12WA-1
 INPUT: 120V 60HZ
 OUTPUT: 12VAC 7.33A 88VA
 Not for use with dimmers
 Suitable For Ground Installation

Non applicable au gradateur
 Convient à l'installation au sol

TOTAL LAMP WATTAGE 88W
 PUISSANCE TOTALE DE LA LAMPE 88W
 MADE IN CHINA



ELECTRONICAL SPECIFICATION

Input Voltage	120	Volts
Frequency (Hz)	60	Hz
Power Rated (W)	105	W
Exciting Current With No load	200	mA Max
Exciting Current With Full load	980	mA Max
Output Voltage	12.0	Volts±5%
Output Current	7.3	Amp
Output Voltage Without Load	13.0	Volts±5%

HI-POT :

Test Time	1	Min
PRI TO SEC	1250	Volts
PRI TO CORE	1250	Volts
SEC TO CORE	1250	Volts
Efficiency	70	%
Insulation Class	B (130)	°C

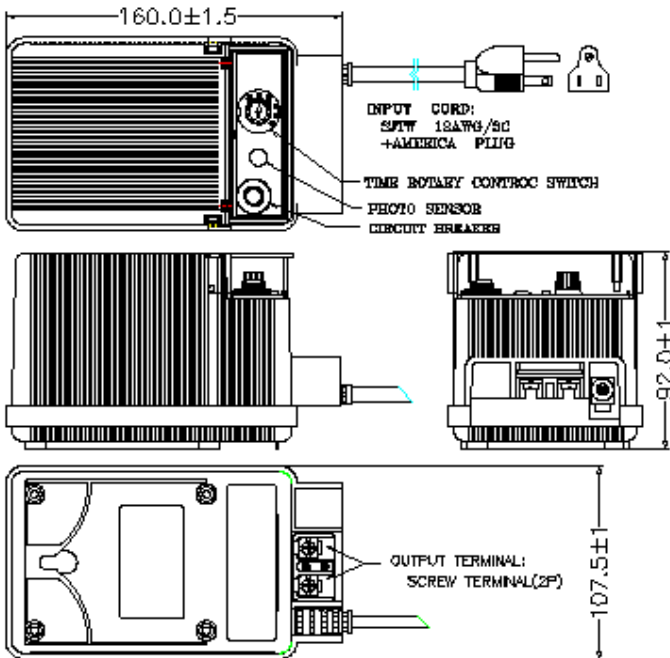
PHOTO CELL & TIMER CONTROL

AUTO: Photo cell Control "On".
 4H. 6H. 8H: Photo cell Control "On",
 Will "Off" Output Power Full Time.

MECHANICAL SPECIFICATION

Dimensions (L*W*H)	160.0*107.5*92.0	mm
Weight	2500	g
Environment:		
Operating Temperature	-10 To 40	°C
Storage Temperature	-20 To 70	°C
Relative Temperature	40°C±2°C	

RELATIVE HUMIDITY **90% RH**



Input Cable: **SJTW 12AWG/3C 105 °C**
0.7M LENGTH+AMERICA PLUG

Output Cable: **SCREW TERMINAL**

ELECTRICAL CIRCUIT

