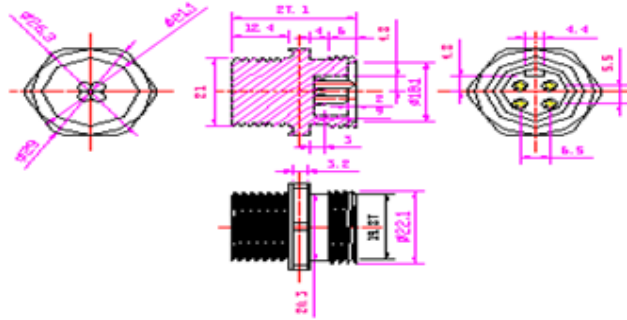




CY-OM97



Type of Cordage	No. of Conductors	Cross-section Area(No. /mm)
1015	4C	18AWG
1015	4C	16AWG

Description: 2.0Φ防水母座(4PIN). (Fem

