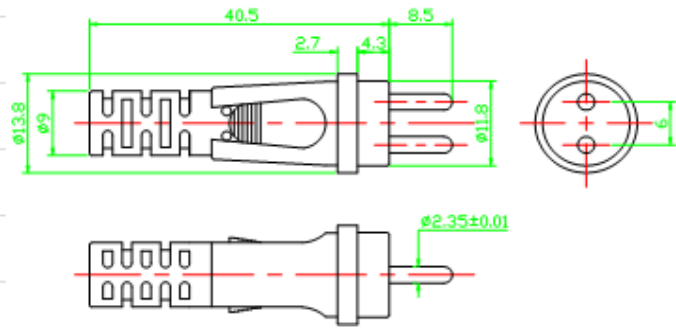




**CY-OM85**



Type of Cordage	No. of Conductors	Cross-section Area(No. /mm)
H05RN-F	2C	0.75 <sup>2</sup>

Description: 2.35Φ 防水公頭

