

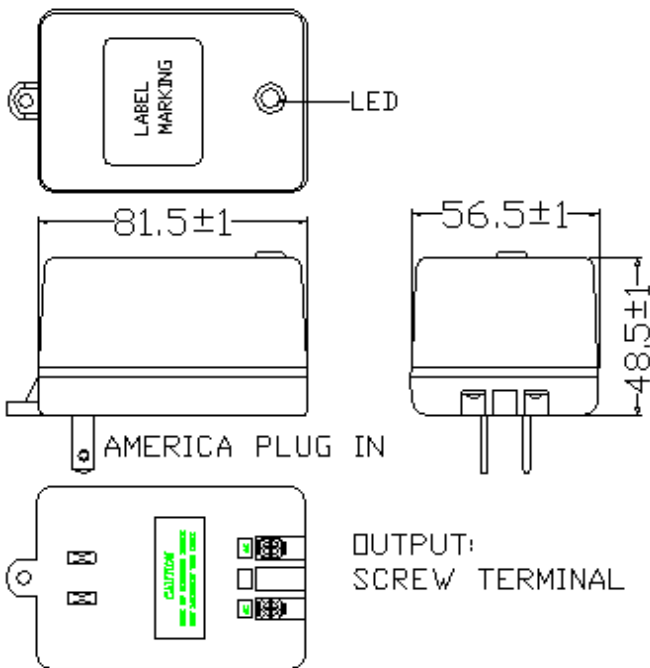
TDC Power Products Co.,Ltd

DA-20-16

INPUT VOLTAGE **120VAC**
 OUTPUT VOLTAGE **16VAC**

ELECTRICAL & MECHANICAL SPECIFICATION

UL
LISTED
E149474
3G58



ELECTRONICAL SPECIFICATION

Input Voltage	120	Volts
Frequency (Hz)	60	Hz
Power Rated (W)	28	W
Exciting Current With No load	120	mA Max
Exciting Current With Full load	260	mA Max
Output Voltage	16.0	Volts±5%
Output Current	1.25	Amp
Output Voltage Without Load	18.0	Volts±5%

HI-POT :

Test Time	1	Min
PRI TO SEC	1250	Volts
PRI TO CORE	1250	Volts
SEC TO CORE	1250	Volts
Efficiency	80	%
Insulation Class	B (130)	°C

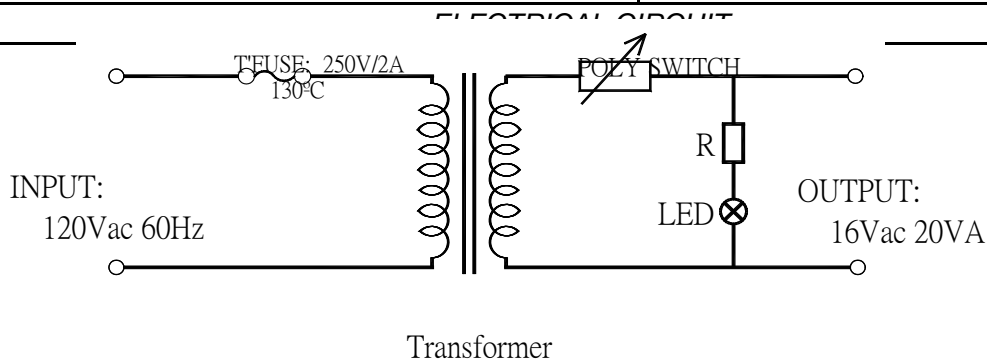
MECHANICAL SPECIFICATION

Dimensions (L*W*H)	81.5*56.5*48.5	mm
Weight	435	g
Environment:		
Operating Temperature	-10 To 40	°C
Storage Temperature	-20 To 70	°C

Relative Temperature 40°C±2°C

RELATIVE HUMIDITY 90% RH

Output Socket: **SCREW TERMINAL**



Transformer